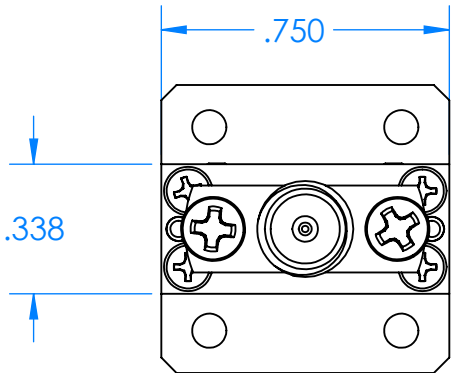
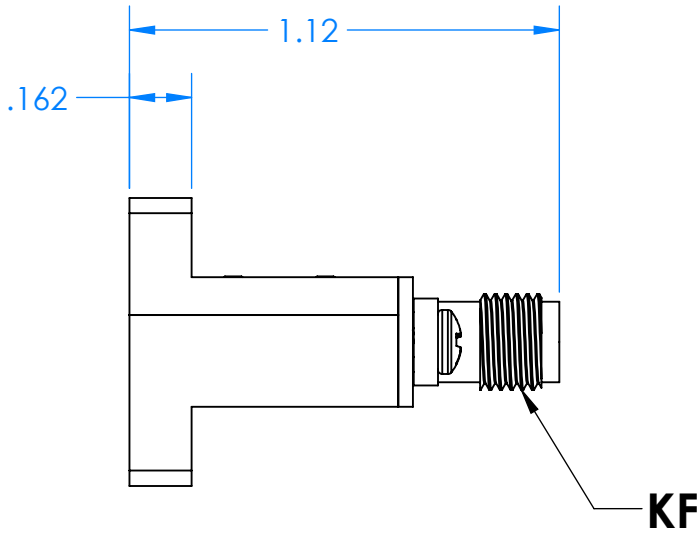
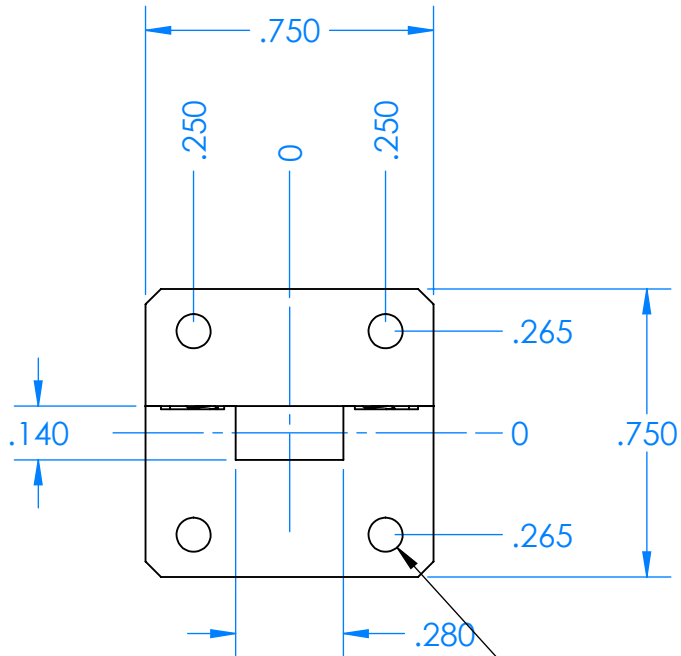
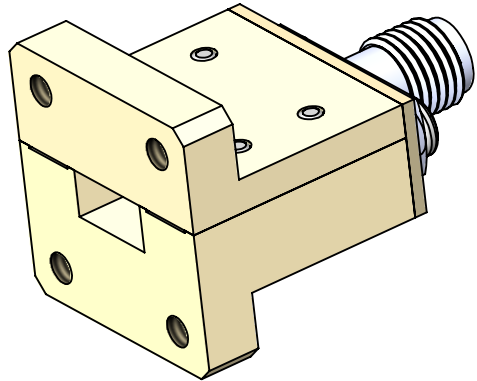
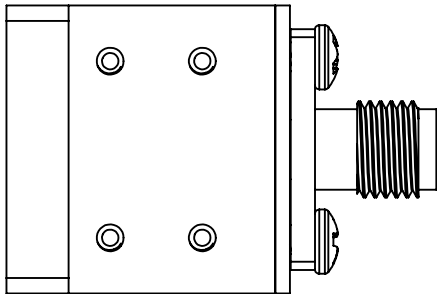


REVISIONS			
REV	DESCRIPTION	DATE	APPROVED
--	--	--	--



UG-599

4X ϕ .089 THRU ALL
4-40 UNC THRU ALL

ALL DIMENSIONS
ARE REFERENCE ONLY

DECIMALS: XXXX ±.0005 XXX ±.005 XX ±.01	NAME	DATE
ANGLES: ± .5 DEGREE	DRAWN	JV 6-29-20
THIRD ANGLE PROJECTION	CHECKED	LS 6-29-20
	ENG	LS 6-29-20
	MATL:	1/2 HARD BRASS

TITLE:	Millimeter Wave Products Inc.	
SIZE	DWG. NO.	REV
A	411A-599-K END LAUNCHED_OUTLINE_25367	
SCALE: 2:1	WEIGHT:	SHEET 1 OF 1